

NOTES:

1.PLUG No.:COX-02

MARK: COXOC COX-02 10A 125V~

APPROVED: E147517

2.POWER WIRE:

C-UL (UL) SJT E148006 VW-1 75°C 18AWGx3C COXOC

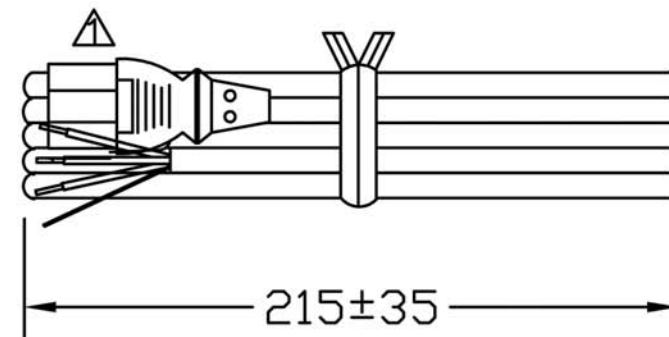
SHIELDED

JACKET COLOR: BLACK

INSULATION COLOR: BLACK,WHITE,GREEN.

3.JACKET TO BE STRIPPED BACK 50.8mm TO EXPOSE CONDUCTORS.

4.CONDUCTOR TO BE STRIPPED BACK 15.9mm TO EXPOSE STRAND COPPER AS SHOWN.



ITEM NO	AK500-OE-9-2-R (2.0 M) AK500-OE-9-3-R (3.0 M)
TITLE	Power Cord, SJT E148006, Shielded 18AWG , UL/CSA, 2.0M, 75°C

ASSMANN
Electronics, Inc.

1840 W. Drake Drive, Suite 101 - Tempe, AZ 85283
Toll Free: 1-877-277-6266 Email: info@usa-assmann.com

THIS DRAWING IS UNPUBLISHED
© Copyright 2008 by Assmann Electronic Components
All International Rights Reserved